

Nightingale

Heritage Luminaire range


Pudsey Diamond™



Nightingale

Heritage Luminaire range



Our Nightingale Lantern beautifully replicates a classic Victorian heritage style and it is available with various finishing options. Offered with our multi award-winning Varoptic® high performance, low glare optic; our Varoptic Jewel, an authentic option which replicates an original gas lantern and, our high efficiency Soft COB module. These options will perfectly suit the most sensitive areas.

Specification

Optical Characteristics / Options

	Varoptic®	Varoptic® Jewel	Soft COB	Notes
Lumen Output range	350 - 5500Lm	200 - 1400Lm	1000 - 7000Lm	
Colour Temperature	2700K / 3000K	2200K	3000K / 4000K	Others available on request
CRI	70	70	70	
S/P Ratio	1.2 - 1.27	1.0	1.2 - 1.5	2700K = 1.2 3000K = 1.27 4000K = 1.5
Distribution Options	ISENA Type II, III & V	Area	ISENA Type II, III & V	
LM-80	L90B10	L90B10	L90B10	>100,000Hrs

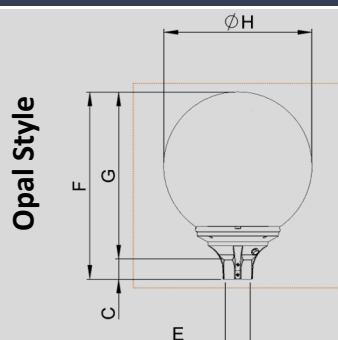
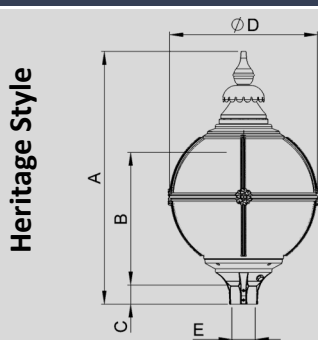
Electrical Characteristics

Power Range	3.5 - 75W	2 - 16.4W	8 - 52W	
Input Voltage	220 - 240V	220 - 240V	220 - 240V	
Power Factor	>0.97	>0.95	>0.97	
Frequency	50 / 60Hz	50 / 60Hz	50 / 60Hz	

Luminaire Characteristics

Material	Aluminium	
Globe Options	Clear / Half Clear Half White / Half Clear Half Black / Opal	
Classification	Class 1	
IP Rating	IP66	Electrical and optical compartment/ Luminaire frame
Weight	13.5Kg	
Windage	0.22m ² 3-6m	
Mounting Height		Recommended
Mounting Options	76mm	Cast base
Control	10—100%	Pre-set, DALI, Profile, Line Switch, 4 step
Temperature Range	-20 to + 25°C	Testing based on 25°C ambient, higher temperatures will impact LM-80 results

Dimensions



A	490mm
B	846mm
C	360mm
D	247mm
E	75mm
F	Ø76mm
G	128mm