



Nightingale



Our Nightingale lantern is the epitome of style and makes an eye catching addition to any heritage scheme. Replicating a lantern design from an historic period and upgrading it to meet modern-day lighting performance.

Image shown with 3 mantle Jewel, clear bowl, scalloped finial.

Each lantern is manufactured using carefully selected components and a skilful assembly.

Main Features:

- UKCA/CE Marked
- DALI enabled
- Available with pre-programmed dimming profile
- Luminaire frame designed to IP66 (TBC)
- Electrical compartment designed to IP66 (TBC)
- Optical compartment designed to IP66 (TBC)
- Miniature photocell

Materials:

- 2mm sturdy aluminium housing
- Anti-vandal, UV resistant clear polycarbonate bowl

Technical:

- Nominal weight: 13kg (varies depending on specification)
- Windage: 0.22m²
- Recommended mounting height: 3-6

Choose from:

- Marine-grade coating
- Available powder coated to any RAL colour
- Clear, opal, half white or half black globe
- Scalloped or non-scalloped finial
- Available without frame

Optic options:

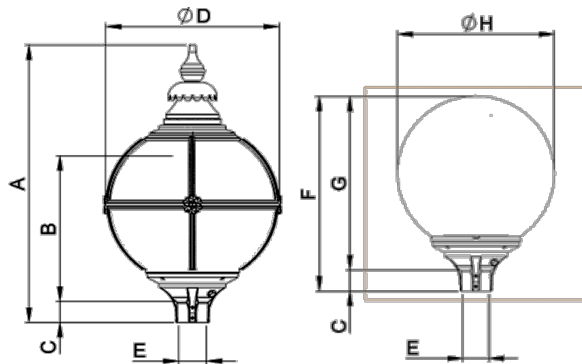


Varoptic®

Jewel

Soft COB

Specification



A	490mm
B	846mm
C	360mm
D	247mm
E	75mm
F	76mm
G	128mm

	Varoptic®	Jewel	Soft COB	Notes
Optical				
Lumen output range	350-5500Lm	200-2100Lm	1000-7000Lm	
Colour Temperature	2700k / 3000k	2200k	3000k / 4000k	Others available on request
CRI	70	70	70	
S/P Ratio	1.2 - 1.27	1.0	1.2 - 1.5	2700K = 1.2 3000K = 1.27 4000K = 1.5
Distribution Options	ISENA Type II, III & V	Area	ISENA Type II, III & V	
LM-80	L90B10	L90B10	L90B10	>100,000Hrs

Electrical				
Power range	3.5-75W	2 - 16.4W	8 - 52W	
Input Voltage	220 - 240V	220 - 240V	220 - 240V	
Power Factor	>0.97	>0.95	>0.97	
Frequency	50 / 60Hz	50 / 60Hz	50 / 60Hz	

Luminaire Characteristics		
Classification	Class 1	
Control	10 - 100%	Pre-set, DALI, Profile, Line Switch, 4 step
Temperature Range	-20 to +25 °C	Testing based on 25°C ambient, higher temperatures will impact LM-80 results