

Title

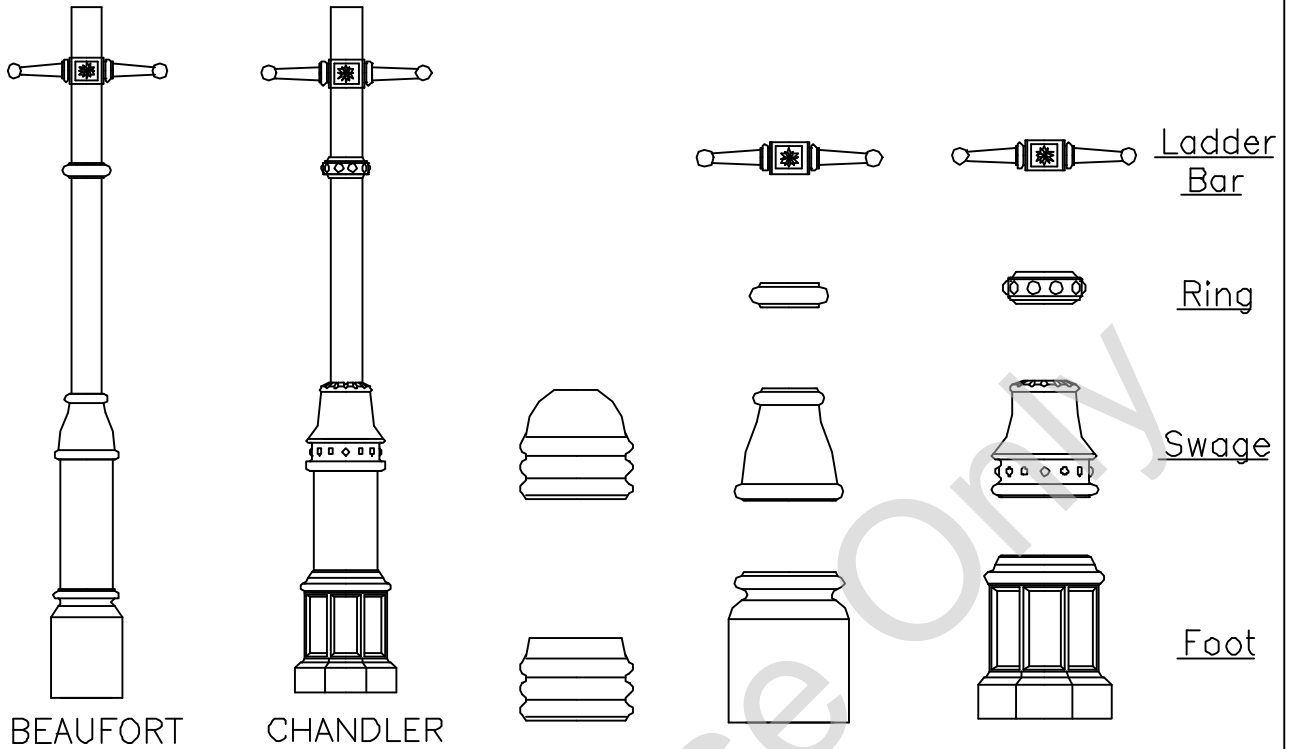
Pudsey Diamond Embellishment Kits

Drawing Number

Q3229

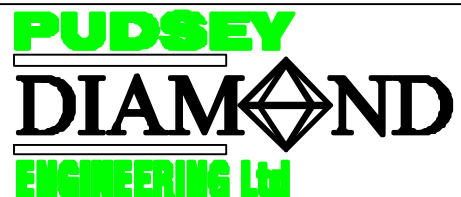
Drg Issue

A



SHAFT DIA	BASE DIA	RIPPLE		BEAUFORT				CHANDLER			
		SWAGE	FOOT	L-BAR	RING	SWAGE	FOOT	L-BAR	RING	SWAGE	FOOT
∅ 76	∅ 140			*	*	*	*	*	*	*	*
∅ 89	∅ 168			*	*	*	*	*	*	*	*
∅ 89	∅ 194	*	*								
∅ 114	∅ 168				*	*	*		*	*	*
∅ 114	∅ 194				*	*	*		*	*	*
∅ 140	∅ 194				*	*	*				
∅ 168	∅ 219					*	*				

© 2004 PUDSEY DIAMOND ENGINEERING LTD. ALL RIGHTS RESERVED. THIS DOCUMENT OR ANY PART THEREOF MAY NOT BE REPRODUCED, STORED IN A RETRIEVAL SYSTEM OR TRANSMITTED IN ANY WAY WITHOUT WRITTEN PERMISSION FROM PUDSEY DIAMOND ENGINEERING LIMITED.



Tel : ~ 01264 336677 Fax 01264 336688
 E-mail : ~ sales@pudseydiamond.com
 Website : ~ www.pudseydiamond.com

Issno	Revision Details			Date	By
Drawn NE	Checked DS	Approved DS	Scale NTS	Date 06/01/2000	