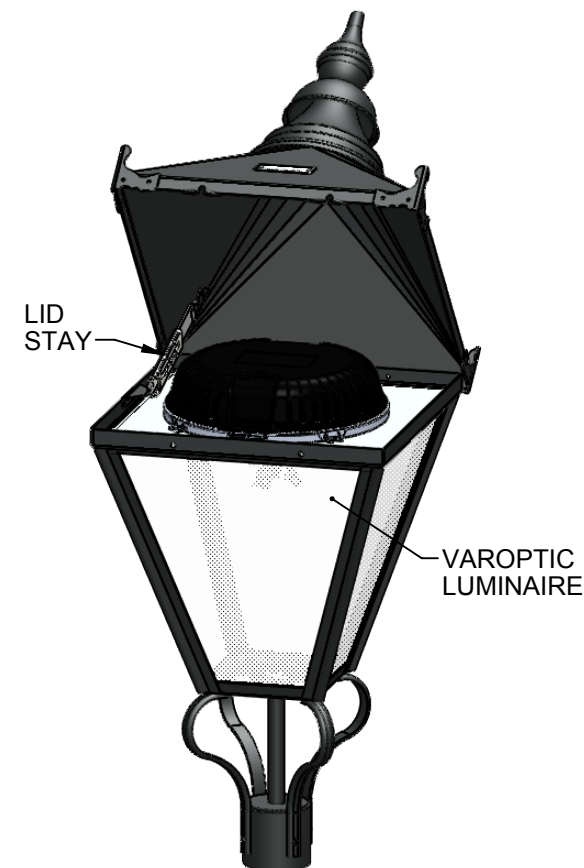
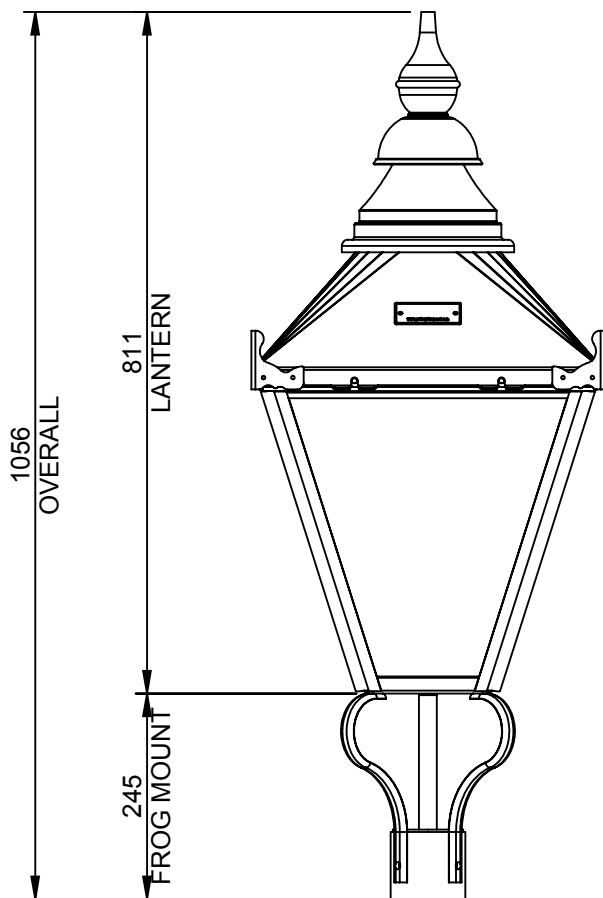
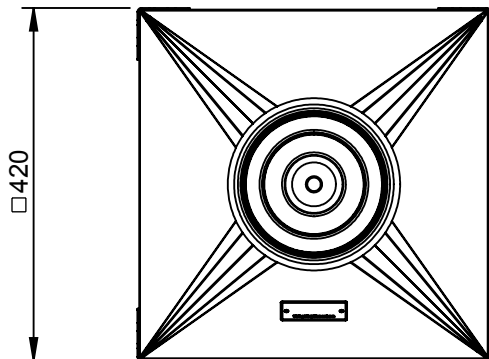
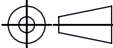


REV. RECORD



NOTES: (1) ALL DIMENSIONS IN mm. (2) REMOVE ALL BURRS AND SHARP EDGES.			
© 2017 PUDSEY DIAMOND ENGINEERING LTD. ALL RIGHTS RESERVED. THIS DOCUMENT OR ANY PART THEREOF MAY NOT BE REPRODUCED, STORED IN A RETRIEVAL SYSTEM OR TRANSMITTED IN ANY WAY WITHOUT WRITTEN PERMISSION FROM PUDSEY DIAMOND ENGINEERING LTD.			
LINEAR TOLERANCES UNLESS OTHERWISE STATED: X.00 = ±0.15 X.0 = ±0.50 X = ±5.00		ANGULAR TOLERANCES UNLESS OTHERWISE STATED: X.00° = ±0.15° X.0° = ±0.50° X° = ±1.00°	
DATE: 16/10/2018		SCALE: 1:9	
DRAWN: HE		CHECKED: BB	
		MATERIAL: ALUMINIUM SPEC: 1050 (FINIAL) + 5251 (REST) FINISH: POWDER COATED (RAL 9005)	
		 3RD ANGLE PROJECTION	
TEL: 01264 336677		FAX: 01264 336688	
E-MAIL: SALES@PUDSEYDIAMOND.COM		WEBSITE: WWW.PUDSEYDIAMOND.COM	

